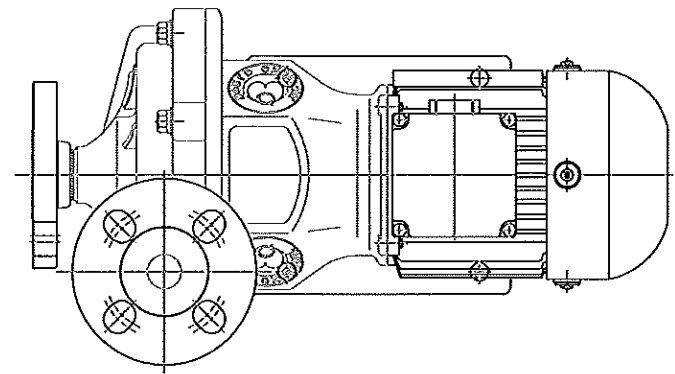
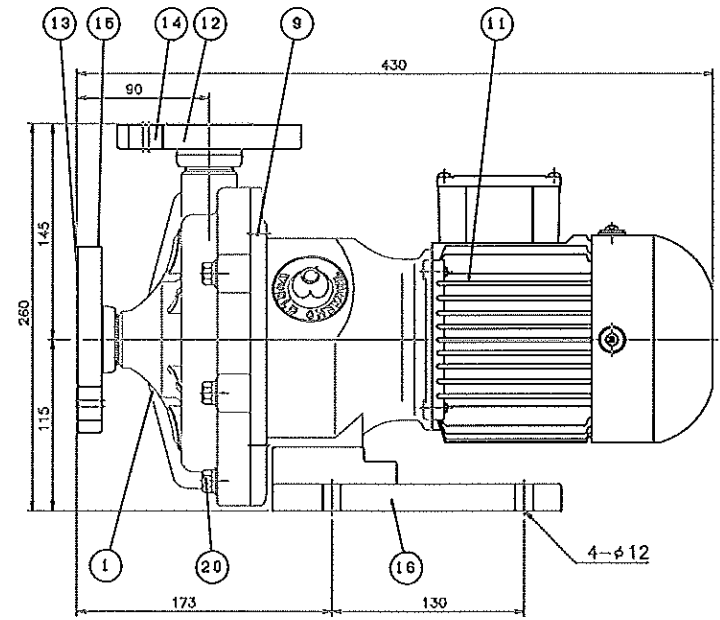
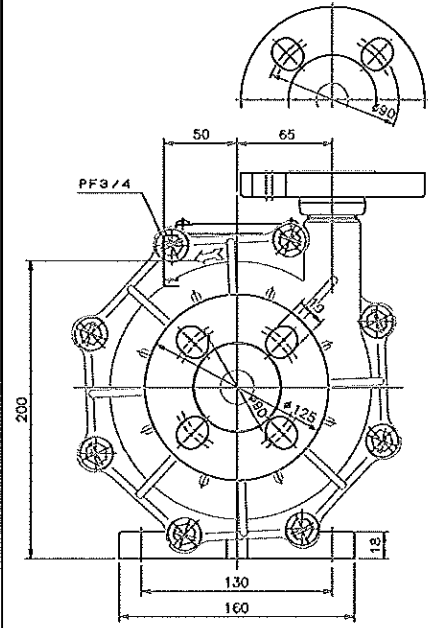


改定 REV.	日付 DATE	改定内容 DESCRIPTION	承認 APP'D BY	設計 BY
△	10.10.03	250GSFと共通化		森



YD-250GS (F) -

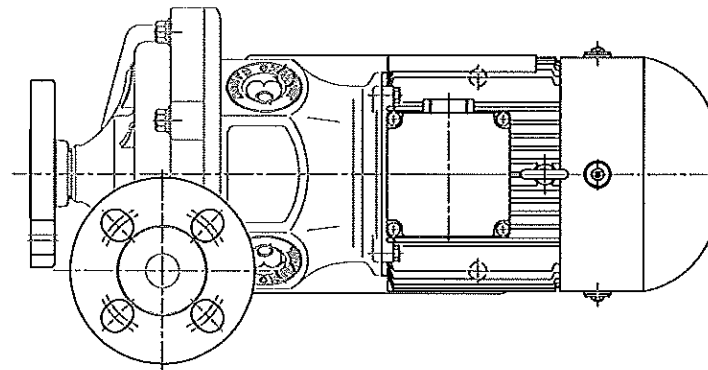


20	Hex bolt (M10 x 35)	8	SUS304	
16	Base	1	QFR PP	
15	Flange (25A)	1	QFR PP	
14	Flange (25A)	1	QFR PP	
13	Lap joint (25A)	1	QFR PP/QFR ETFE	
12	Lap joint (25A)	1	QFR PP/QFR ETFE	
11	Motor with bracket (0.4kW)	1	Aluminium alloy + FC200	2P. 3φ
9	Rear casing support	1	FC200	
1	Front casing	1	QFR PP/QFR ETFE	
No.	PARTS NAME	Q'TY	MATERIAL	NOTE

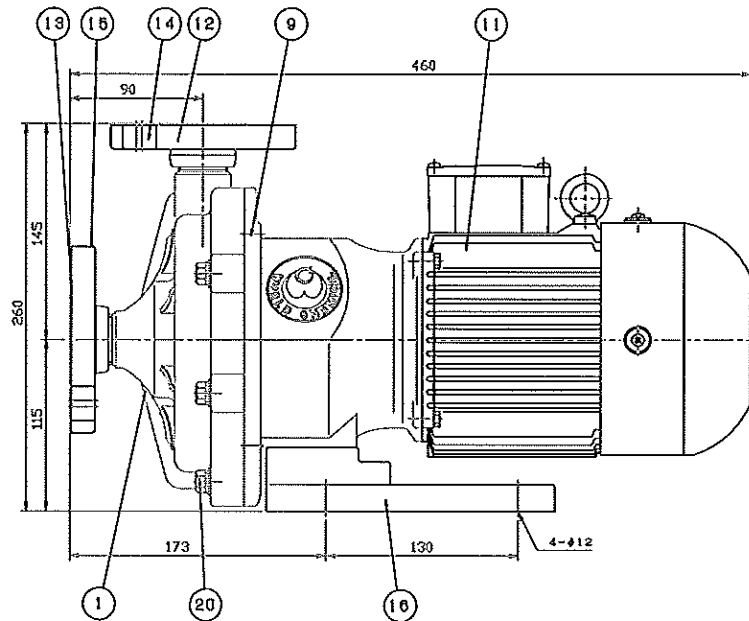
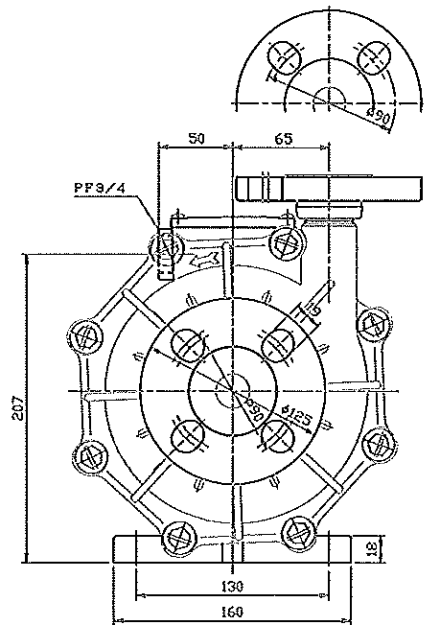
TITLE	Magnetic drive pump "CHEMIFREE"		
MODEL	YD-250GS (F) -		
APPROVED BY	CHECKED BY	DRAWN BY	DRAWN DATE
		内山	'05. 3. 1
	ALTERATION	DRAWN BY	DRAWN DATE
	△ X		

Dwg. No.	GS-3606-1	SCALE	FREE
----------	-----------	-------	------

訂定 REV.	日付 DATE	訂定内容 DESCRIPTION	承認 APP'D	検査 CHK'D	日付 BY
△	101805	251GSFと共通化			☆



YD-251GS(F) -



20	Hex. bolt (M10x35)	8	SUS304	
16	Base	1	GFR PP	
15	Flange (25A)	1	GFR PP	
14	Flange (25A)	1	GFR PP	
13	Lap joint (25A)	1	GFR PP/GFR ETFE	
12	Lap joint (25A)	1	GFR PP/GFR ETFE	
11	Motor with bracket (0.75kW)	1	Aluminium alloy + FC200	2P 3φ
9	Rear casing support	1	FC200	
1	Front casing	1	GFR PP/GFR ETFE	
No.	PARTS NAME	Q'TY	MATERIAL	NOTE

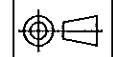
TITLE **Magnetic drive pume "CHEMIFREE"**

MODEL **YD-251GS(F) -**

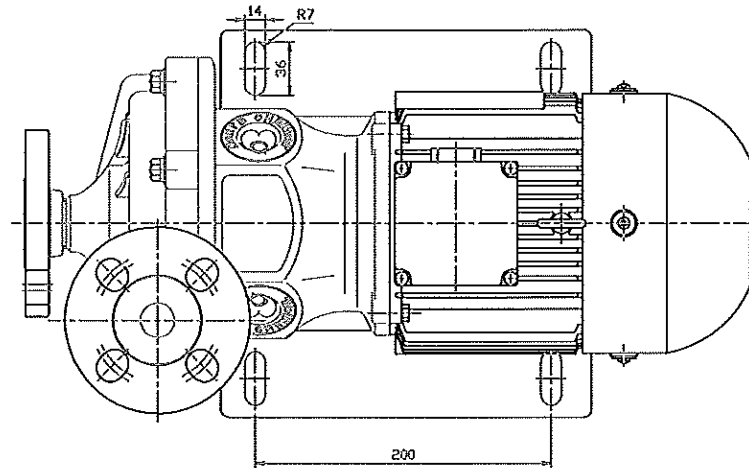
APPROVED BY	CHECKED BY	DRAWN BY	DRAWN DATE
		内山	'05, 2.16
	ALTERATION	DRAWN BY	DRAWN DATE
	△ X		

Dwg.No.	GS-3603-1	SCALE	FREE
---------	-----------	-------	------

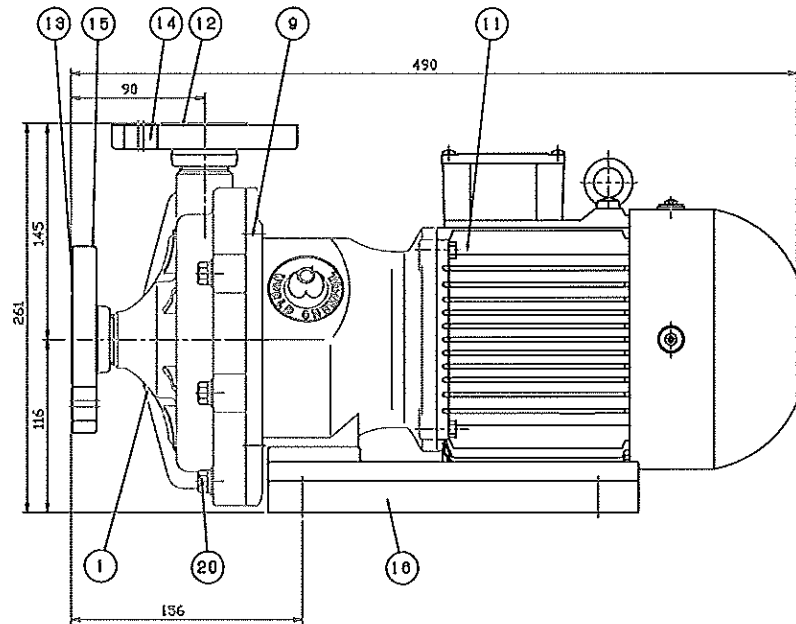
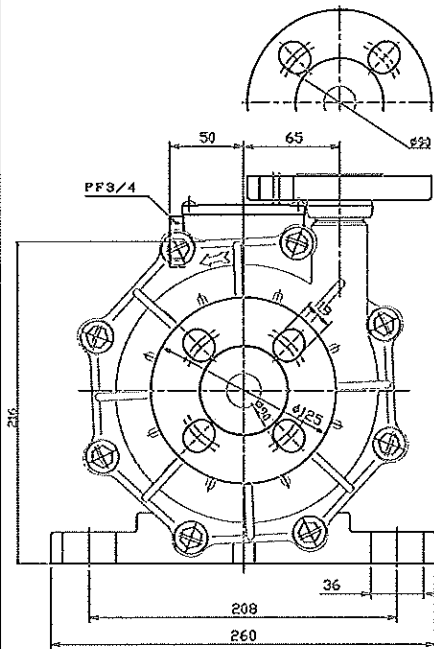
株式会社 ワールドケミカル
World Chemical Co.,Ltd.



改定 REV.	日付 DATE	改定内容 DESCRIPTION	改訂 訂正 訂正 訂正	検定 検定 検定
△	'10/10/05	252-253GSFと共通化		※




YD-252/253GS (F) -



20	Hex. bolt (M10x35)	8	SUS304	
16	Base	1	GFR PP	
15	Flange (25A)	1	GFR PP	
14	Flange (25A)	1	GFR PP	
13	Lap joint (25A)	1	GFR PP/CFR ETFE	
12	Lap joint (25A)	1	GFR PP/CFR ETFE	
11	Motor with bracket	1	Aluminium alloy + FC200	2P 3φ (1.5/2.2kW)
9	Rear casing support	1	FC200	
1	Front casing	1	GFR PP/CFR ETFE	
No.	PARTS NAME	Q'TY	MATERIAL	NOTE

TITLE		Magnetic drive pump "CHEMIFREE"	
MODEL		YD-252/253GS (F) -	
APPROVED BY	CHECKED BY	DRAWN BY	DRAWN DATE
		内山	'05. 2.16
	ALTERATION	DRAWN BY	DRAWN DATE
	△ X		

Dwg. No.	GS-3602-1	SCALE	FREE
----------	-----------	-------	------


 株式会社 ワールドケミカル
 World Chemical Co., Ltd.
 