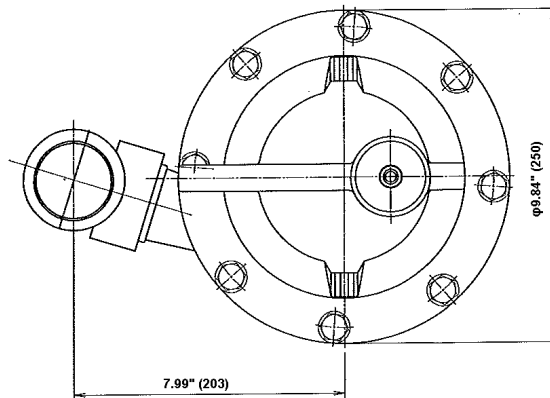
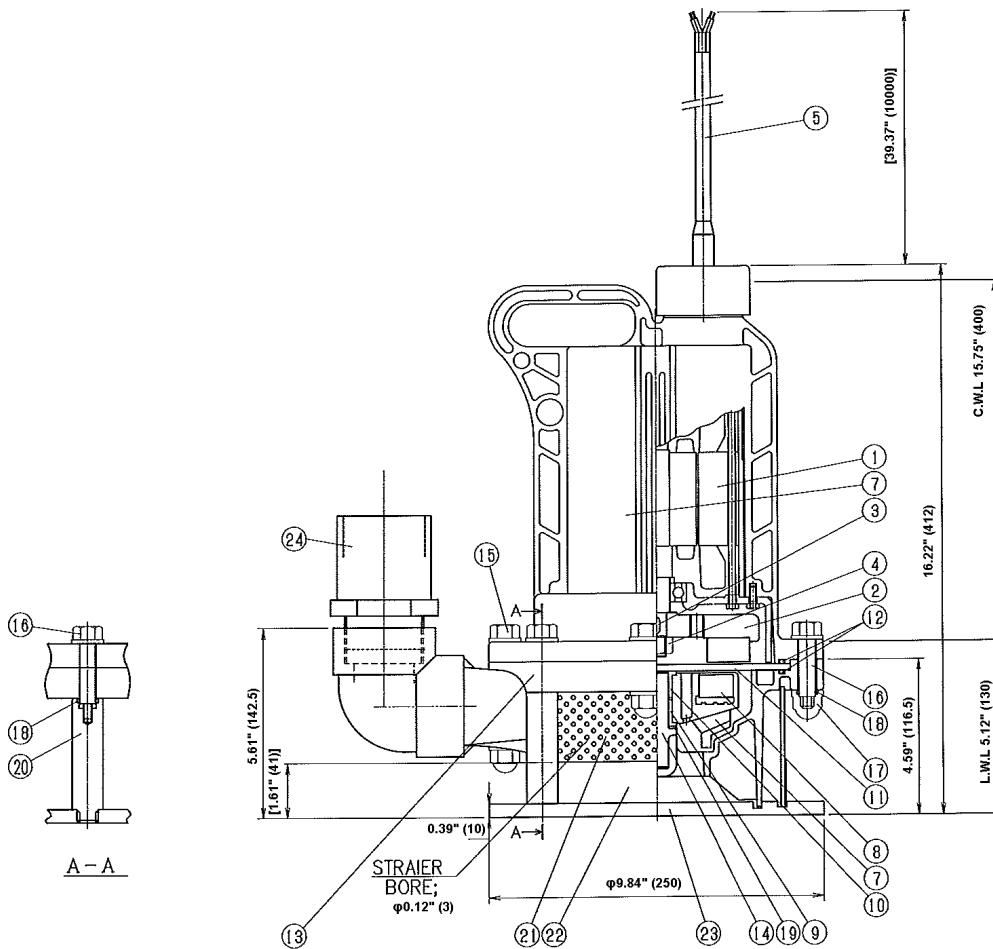


BORE	DIS. 50A		
TOTAL HEAD	m		
CAPACITY	L/min		
MOTOR	1.1kW		
	V 50・60Hz 2P 3φ		
LIQUID	NAME		
	CONC.	%	S.G.
	TEMP.	°C	



C.W.L (CONTINUOUS OPERATION WATER LEVEL)
 C.W.L (LOWEST OPERATION WATER LEVEL)



24	50A VALVE SOCKET	1	PVC	
23	BOTTOM BOARD	1	PP	
22	STRAINER FENCE	1	PP	
21	STRAINER	1	PP	
20	STAND BOLTS	4	HT,PVC	
19	FLOATING WASHER	1	PTFE CLASS(CERAMIC BUSHING TYPE ONLY)	
18	O-RINGS	8	EPDM/FPM	
17	HEX.NUTS	4	CFR PP etc.	
16	HEX.BOLTS 52	7	CFR PP etc.	
15	HEX.BOLT 92	1	CFR PP etc.	
14	SHAFT	1	SiC	
13	CASING	1	CFR PP	
12	O-RINGS	2	EPDM/FPM	
11	CERAMIC PLATE	1	CERAMIC	
10	REAR BUSHING	1	PTFE GAASS	
9	FRONT BUSHING	1	PTFE CLASS/CERAMIC	
8	MAGNET	1		
7	IMPELLER	1	CFR PP	
6	MOTOR COVER	1	CFR PP	
5	CABLE	1	2PNCT	4CX1.25mmX10m
4	HEX.NUT	1	SS	U-M14X12.5h
3	KEY	1	SS	
2	DRIVE MAGNET	1		
1	MOTOR	1		

No.	品名 PARTS NAME	数量 QTY	材質 MATERIAL	備考 NOTE
名称 TITLE		SUBMERSIBLE CHEMICAL PUMP		
型式 MODEL		YD-5002GWN-CP-		
承認 APPROVED BY	検閲 CHECKED BY	設計・製図 DRAWN BY	日付 DRAWN DATE	
M.HARIGAE	T.NEKKO	M.HARIGAE	OCT. 23, 2009	
図面番号 Dwg. No.	GM-3149-0			尺度 SCALE
				1:4
 株式会社 ワールドケミカル World Chemical Co.,Ltd.				